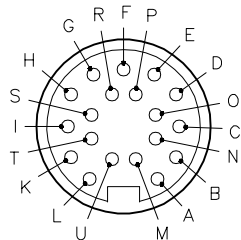



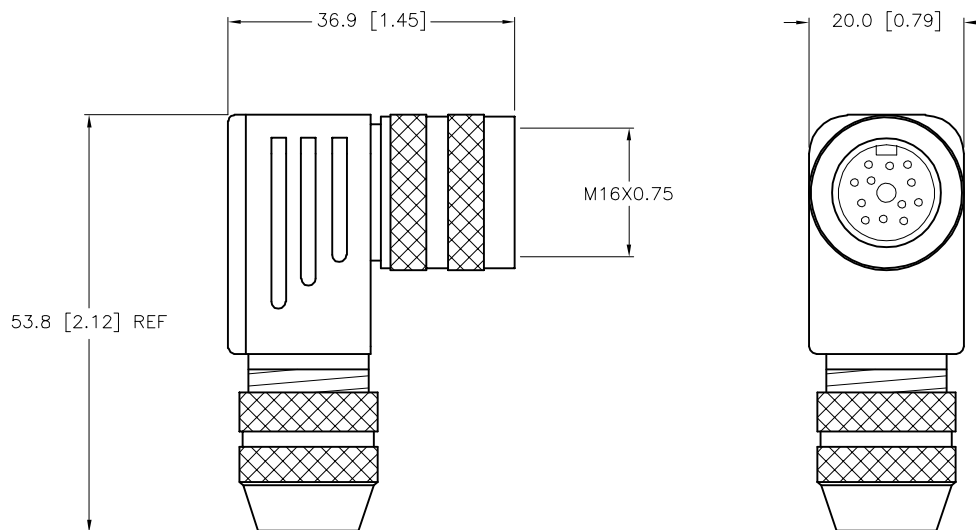
FEMALE PIN-OUT



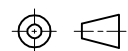
 M16 connector

SPECIFICATIONS

CONTACT CARRIER MATERIAL	NYLON
CONTACT MATERIAL/PLATING	COPPER ALLOY/GOLD
HOUSING MATERIAL/PLATING	DIE-CAST ZINC/NICKEL
COUPLING NUT MATERIAL/PLATING	BRASS/NICKEL
RATED CURRENT [A]	3.0 A
RATED VOLTAGE [V]	60 VAC/VDC
TERMINALS	CONDUCTORS TO 24 AWG, SOLDER CUP TERMINALS



SOURCE DRAWING - FOR REFERENCE ONLY

RELATED DOCUMENTS		3RD ANGLE PROJECTION		THIS DRAWING IS CONFIDENTIAL AND THE PROPERTY OF TURCK INC. USE OF THIS DOCUMENT WITHOUT WRITTEN PERMISSION IS PROHIBITED.		3000 CAMPUS DRIVE MINNEAPOLIS, MN 55441 1-800-544-7769 (763) 553-7300 (763) 553-0708 fax www.turck.us		
1. 2. 3. 4.				DRFT RDS DATE 04/08/03 APVD SCALE 1=1.0		DESCRIPTION BKWS 19-0		
MATERIAL SEE SPECIFICATIONS		ALL DIMENSIONS DISPLAYED ON THIS DRAWING ARE FOR REFERENCE ONLY		UNIT OF MEASUREMENT MILLIMETER [INCH]		IDENTIFICATION NO. U0882-2		
FINISH SEE SPECIFICATIONS		CONTACT TURCK FOR MORE INFORMATION		DO NOT SCALE THIS DRAWING		REV A		
A	DRAWING RELEASE	RDS	04/08/03	FILE: U0882-2				SHEET 1 OF 1
REV	DESCRIPTION	BY	DATE	ECO NO.				

A	DRAWING RELEASE	RDS	04/08/03	
REV	DESCRIPTION	BY	DATE	ECO NO.